

IS 3360 40m

COM1 - surface, rd. black
 EAN 4007841 068547
 Article number 068547



infrared sensor
360°



max. 20 m

2000 W

2000 W max. (LED-ready)



IP54



2 - 1000 lux



5 sec - 15 min



manual override 4h



ideal 2,5 - 4 m

Teach

Teach mode



energy saving

Function description

Higher, further, faster. Infrared presence detector IS 3360 for indoors and out, ideal for watching over high spaces and large areas, such as multi-storey and underground car parks, installation height up to 4 m, 360° angle of coverage, reach 20 m max. (tangential), heavy-duty relay for high switching capacity. Available either in round or square surface-mounted and concealed version.

Technical specifications

Dimensions (Ø x H)	126 x 65 mm	LED lamps > 8 W	600 W
With motion detector	Yes	Capacitive load in µF	176 µF
Manufacturer's Warranty	5 years	Technology, sensors	passive infrared, Light sensor
Settings via	Remote control, Potentiometers, Smart Remote	Mounting height	2,50 – 4,00 m
With remote control	No	Mounting height max.	4,00 m
Version	COM1 - surface, rd. black	Optimum mounting height	2,8 m
PU1, EAN	4007841068547	Detection angle	360 °
Type	Motion and Presence Detector	Angle of aperture	180 °
Application, place	Outdoors, Indoors	Sneak-by guard	Yes
Application, room	production facilities, recreation room, changing room, function room / ancillary room, sports hall, reception / lobby, stairwell, WC / washroom, multi-storey / underground car park, outdoors, warehouse, Indoors	Capability of masking out individual segments	Yes
Colour	black	Electronic scalability	No
Colour, RAL	9005	Mechanical scalability	No
		Reach, radial	Ø 8 m (50 m ²)
		Reach, tangential	Ø 40 m (1257 m ²)
		Reach, presence	Ø 3 m (7 m ²)
		Switching zones	1416 switching zones

IS 3360 40m

COM1 - surface, rd. black
EAN 4007841 068547
Article number 068547



Technical specifications

Includes corner wall mount	No
Installation site	ceiling
Installation	Surface wiring, Ceiling
IP-rating	IP54
Ambient temperature	-20 – 50 °C
Material	Plastic
Fluorescent lamps, electronic ballast	1500 W
Fluorescent lamps, uncorrected	1000 VA
Fluorescent lamps, series-corrected	400 VA
Fluorescent lamps, parallel-corrected	400 VA
Switching output 1, low-voltage halogen lamps	2000 VA
LED lamps < 2 W	100 W
LED lamps > 2 W < 8 W	300 W

Twilight setting	2 – 1000 lx
Time setting	5 s – 15 Min.
Main light adjustable	No
Twilight setting TEACH	Yes
Constant-lighting control	No
Interconnection	Yes
Type of interconnection	Master/master
Interconnection via	Cable
Interconnection, number	max. 10 sensors

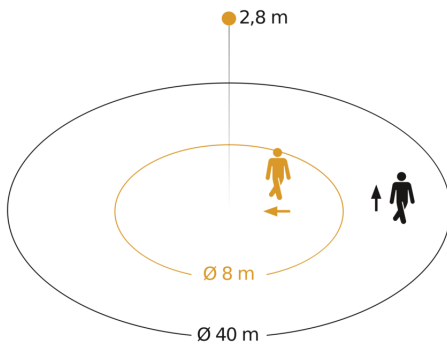
Accessories

EAN 4007841 559410	Service remote control RC8
EAN 4007841 009151	Remote control Smart Remote

IS 3360 40m

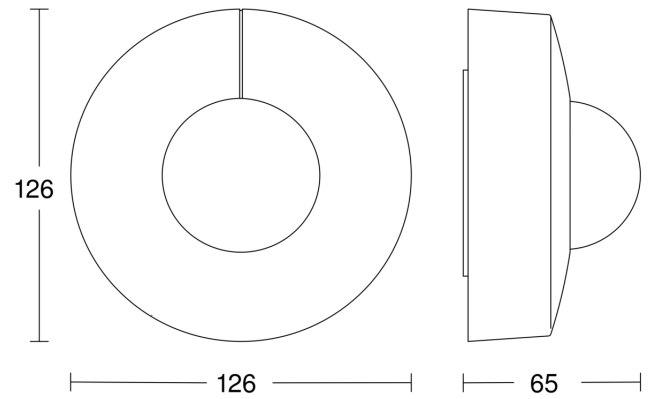
COM1 - surface, rd. black
EAN 4007841 068547
Article number 068547

Detection Zone

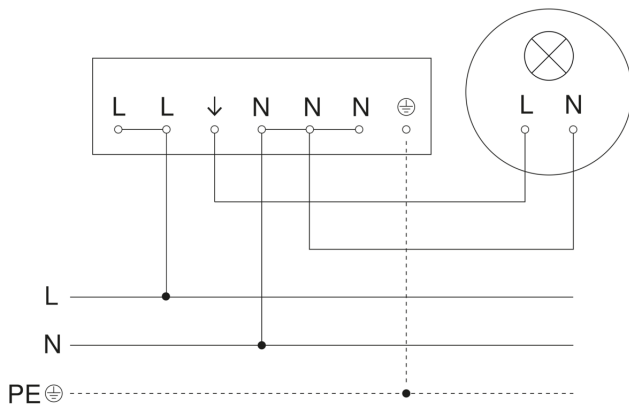


Possible mounting height: 2,50 m – 4,00 m
Orange: radial
Black: tangential

Dimension Drawing



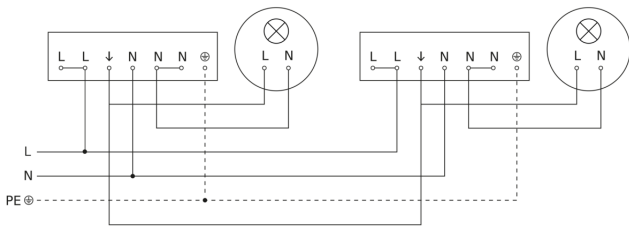
Circuit diagram



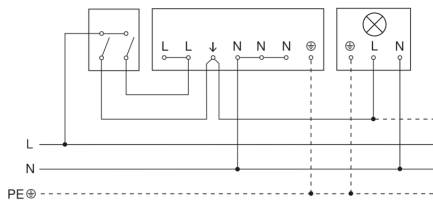
IS 3360 40m

COM1 - surface, rd. black
EAN 4007841 068547
Article number 068547

Circuit diagram for interconnecting several sensors



Connection using two-circuit switch for manual and automatic operation



Circuit diagram Connection via a changeover switch for continuous and automatic operation

