

# PD-24 ECO

COM1 - surface white  
EAN 4007841 087838  
Article number 087838



infrared sensor 360°



mounting height max. 4 m



max.  $\varnothing$  24 m



Presence  $\varnothing$  7,5 m



2 - 1000 lux



IP54

Teach

Teach mode

5 years

manufacturer's warranty steinel-professional.de/garantie



CE

## Function description

Motion detection, presence detection and light measurement for offices, meeting rooms, passageways and more – the 360° IR presence detectors are sensNORM-compliant and ideal for sensor-based standard requirements in public buildings. With COM1, KNX and DALI-2 IPD interface. With COM1 interface, key input and fully/semi-automatic mode. Motion detection range:  $\varnothing$  8 or  $\varnothing$  24 m. Presence detector function with  $\varnothing$  6 or  $\varnothing$  7.5 m detection zone. Includes insertable cover caps in a matching colour. For concealed wiring, surface mounting and recessed ceiling installation. Configuration and operation via Smart Remote control or potentiometer. Installation-friendly modular magnetic plug-in connection. LED feedback for safe commissioning. Mounting height max. 4 m. Parallel switching (up to 10 sensors). Switching output: 2000 watt or 500 watt (LED). In black or white.

# PD-24 ECO

COM1 - surface white  
 EAN 4007841 087838  
 Article number 087838



## Technical specifications

Dimensions (Ø x H)	129 x 70 mm
With motion detector	Yes
Manufacturer's Warranty	5 years
Settings via	Remote control, Smart Remote, Potentiometers
With remote control	No
Version	COM1 - surface white
PU1, EAN	4007841087838
Type	Motion and Presence Detector
Application, place	Indoors
Application, room	one-person office, function room / ancillary room, Indoors, warehouse
Colour	white
Includes corner wall mount	No
Installation site	ceiling
Installation	Surface wiring, Ceiling
IP-rating	IP54
Ambient temperature	-20 – 50 °C
Material	Plastic
Switching output 1, resistive	2000 W
Switching output 1, number of LEDs / fluorescent lamps	50 pcs.
LED lamps > 8 W	500 W
Capacitive load in µF	176 µF
Technology, sensors	passive infrared, Light sensor

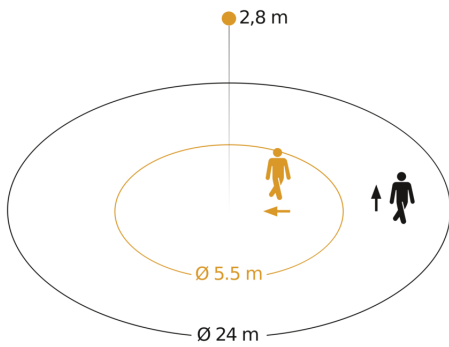
Mounting height	2 – 4 m
Mounting height max.	4,00 m
Optimum mounting height	2,8 m
Detection angle	360 °
Capability of masking out individual segments	Yes
Electronic scalability	No
Mechanical scalability	No
Reach, radial	Ø 5.5 m (24 m <sup>2</sup> )
Reach, tangential	Ø 24 m (452 m <sup>2</sup> )
Reach, presence	Ø 7.5 m (44 m <sup>2</sup> )
Switching zones	1436 switching zones
Abdeckmaterial Lieferumfang	shrouds
Functions	Motions sensor, Light sensor, Presence function, Presence detector logic, Semi-/fully automatic, Normal / test mode, Potentiometer, Relay output
Twilight setting	2 – 1000 lx
Time setting	5 s – 60 Min.
Main light adjustable	No
Twilight setting TEACH	Yes
Constant-lighting control	No
Type of interconnection	Master/master
Interconnection via	Cable
Interconnection, number	max. 10 sensors

# PD-24 ECO

COM1 - surface white  
EAN 4007841 087838  
Article number 087838

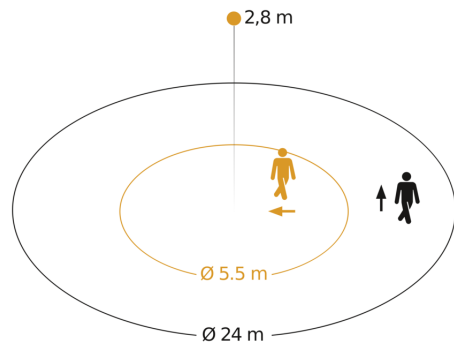


## Detection Zone 1



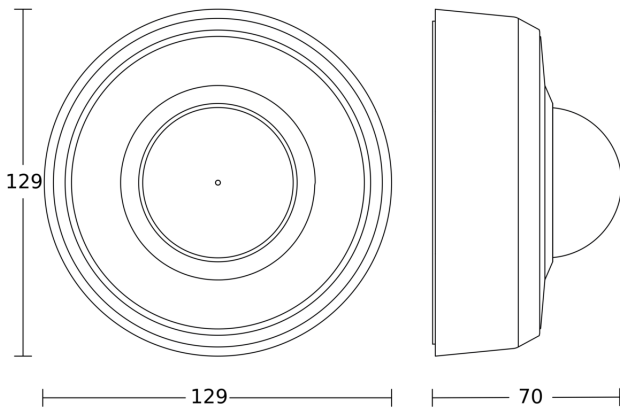
Possible mounting height: 2,00 m - 4,00 m  
Orange: radial  
Black: tangential

## Detection Zone 2

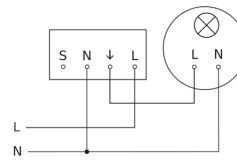


Possible mounting height: 2,00 m - 4,00 m  
Orange: radial  
Black: tangential

## Dimension Drawing



## Circuit diagram



# PD-24 ECO

COM1 - surface white  
EAN 4007841 087838  
Article number 087838

## Circuit diagram for interconnecting several sensors

