

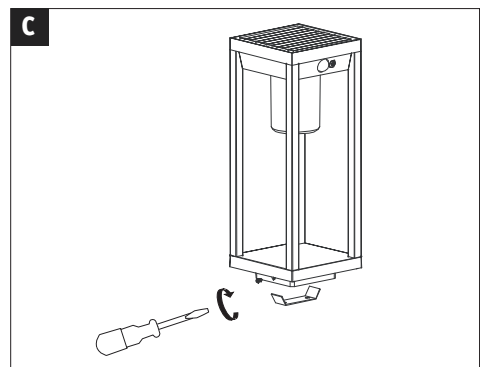
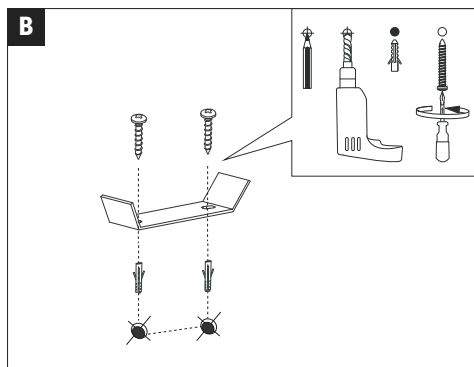
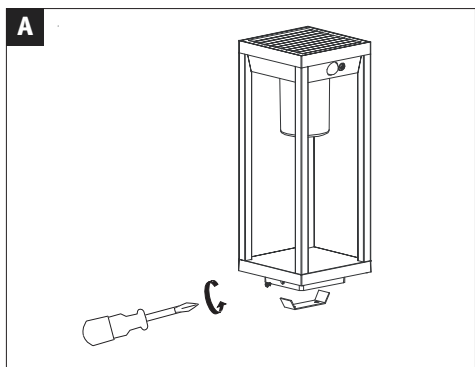
Art.-Nr.: 945.73

PSH 04/21

CE UK CA

Li-Ion

Incl.



D

x1	$\geq 10\text{lux}$ LED $< 10\text{lux}$ LED = 3% LED
x2	$\geq 10\text{lux}$ LED $< 10\text{lux}$ LED + = 100% LED 45secx60
x3	OFF LED

E

$\geq 10\text{lux}$ LED $< 10\text{lux}$ LED = 3% LED $< 10\text{lux}$ LED + = 100% LED 45secx60

H=1.5~2M

Max.8m

$\approx 110^\circ$

i

rechargeable Li-ion battery
18650 3.7V 2000mAh

i		
i		

! only use rechargeable
1x Li-Ion Battery (3,7V 2000mAh)