

# XLED PRO 240 S

V2 warm white black  
 EAN 4007841 068110  
 Article number 068110



<b>LED</b>	<b>3000 K</b>								
30 years (Ø 4,5h / day)	3000K warm-white	infrared sensor 240°	max. 10 m	IP44	2 - 2000 lux	10 sec - 15 min	Light source not exchangeable	Control gear not exchangeable	networkable via cable

## Function description

Day-bright illumination throughout: the XLED PRO 240 S sensor-switched outdoor floodlight. With fully swivelling LED flat panel and opal diffuser. 2124 lm, 3000 K, 19,3 W. With a 240° infrared sensor for reliable motion detection over a reach of up to 12 m.

## Technical specifications

Dimensions (L x W x H)	161 x 180 x 223 mm	Reach, tangential	r = 12 m (302 m <sup>2</sup> )
With lamp	Yes, STEINEL LED system	Photo-cell controller	Yes
With motion detector	Yes	Abdeckmaterial Lieferumfang	shrouds
Manufacturer's Warranty	5 years	Luminous flux total product	2124 lm
Settings via	Potentiometers	Measured luminous flux (360°)	2124 lm
Version	warm white black	Total product efficiency	110 lm/W
PU1, EAN	4007841068110	Colour temperature	3000 K
Application, place	Outdoors	Colour variation LED	SDCM3
Application, room	outdoors, all round the building, terrace / balcony, courtyard & driveway	Lamp	LED cannot be replaced
Includes corner wall mount	No	Service life LED L70B50 (25°)	> 60000 h
Installation site	wall, corner	LED cooling system	HCMC (High Conductive Magnesium Composite)
Installation	Wall, corner, Surface wiring	Soft light start	No
Impact resistance	IK03	Continuous light	selectable
IP-rating	IP44	Twilight setting	2 – 2000 lx
Protection class	II	Time setting	10 s – 15 Min.
Ambient temperature	-20 – 40 °C	Basic light level function	No
		Main light adjustable	No

# XLED PRO 240 S

V2 warm white black  
EAN 4007841 068110  
Article number 068110



## Technical specifications

Housing material	HCMC
Cover material	Plastic, opal
Mains power supply	220 – 240 V / 50 – 60 Hz
Mounting height max.	6,00 m
Sneak-by guard	Yes
Capability of masking out individual segments	Yes
Electronic scalability	No
Mechanical scalability	No
Reach, radial	r = 3 m (19 m <sup>2</sup> )

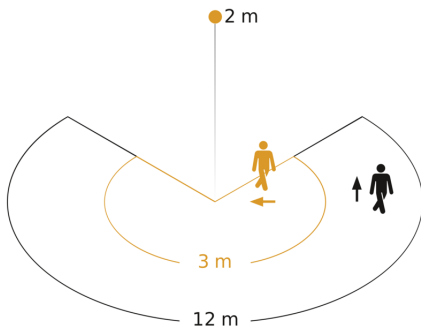
Twilight setting TEACH	No
Interconnection	Yes
Interconnection via	Cable
Interconnection, number	maximum of 10 floodlights
Output	19,3 W
Colour Rendering Index CRI	= 82
Optimum mounting height	2 m
Detection angle	240 °

# XLED PRO 240 S

V2 warm white black  
 EAN 4007841 068110  
 Article number 068110

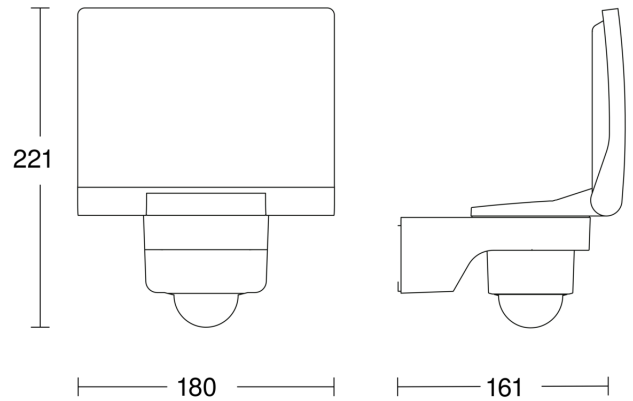


## Detection Zone

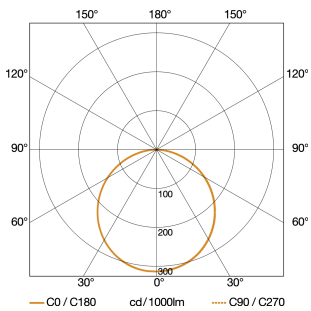


Possible mounting height: 1,80 m - 6,00 m  
 Orange: radial  
 Black: tangential

## Dimension Drawing

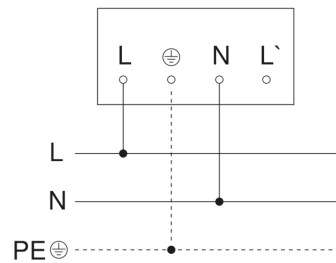


## Light Distribution Curve



<b>Output</b>	19,3 W
<b>With lamp</b>	Yes, STEINEL LED system
<b>Lamp</b>	LED cannot be replaced
<b>Measured luminous flux (360°)</b>	2124 lm
<b>Colour temperature</b>	3000 K
<b>LED cooling system</b>	HCMC (High Conductive Magnesium Composite)

## Master circuit diagram

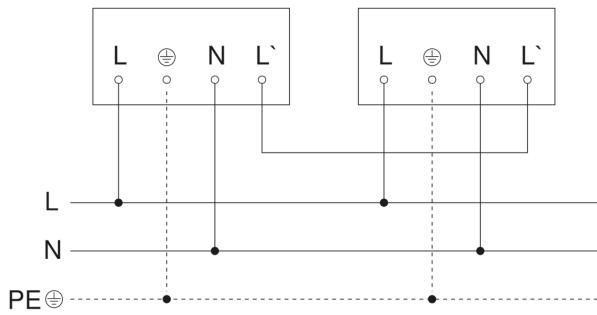


# XLED PRO 240 S

V2 warm white black  
EAN 4007841 068110  
Article number 068110



Master/master interconnection circuit diagram



Master/slave interconnection circuit diagram

