

# L 400 S

black  
 EAN 4007841 611019  
 Article number 611019



Max. 60 W							5 years		
max. 60 W E27	infrared sensor 240°	max. 10 m	IP44	2 - 2000 lux	10 sec - 15 min	energy saving	manufacturer's warranty steinel- professional.de/ garantie	CE	ENEC 10

## Function description

Simply classic, simply classy. Outdoor SensorLight L 400 S, ideal for building walls and entrance areas, for E 27 lamps, 240° angle of coverage, max. reach 12 m, basic light-level function, hand-blown crystal glass shade with decorative bubble effect.

## Technical specifications

Dimensions (L x W x H)	250 x 215 x 336 mm	Sneak-by guard	Yes
With lamp	No	Capability of masking out individual segments	Yes
Manufacturer's Warranty	5 years	Electronic scalability	No
Settings via	Potentiometers	Mechanical scalability	No
With remote control	No	Reach, radial	r = 3 m (19 m <sup>2</sup> )
Version	black	Reach, tangential	r = 12 m (302 m <sup>2</sup> )
PU1, EAN	4007841611019	Photo-cell controller	Yes
Application, place	Outdoors	Abdeckmaterial Lieferumfang	shrouds
Application, room	outdoors, front door, all round the building, terrace / balcony, courtyard & driveway	Lamp	All-purpose lamp
Installation site	wall	Base	E27
Impact resistance	IK03	Soft light start	Yes
IP-rating	IP44	Continuous light	selectable, 4h
Protection class	II	Twilight setting	2 – 2000 lx
Ambient temperature	-20 – 40 °C	Time setting	5 s – 15 Min.
Housing material	Plastic	Basic light level function	Yes
Cover material	Glass transparent	Interconnection	No
		Basic light level function in per cent	10 – 50 %

# L 400 S

black  
EAN 4007841 611019  
Article number 611019



## Technical specifications

Mains power supply	220 – 240 V / 50 – 60 Hz
Output	60 W
Power consumption	0,8 W
Mounting height max.	6,00 m
Slave modeselectable	No

Basic light level function percentage, from	10 %
Basic light level function percentage, up to	50 %
Optimum mounting height	2 m
Detection angle	240 °

## Accessories

EAN 4007841 630317

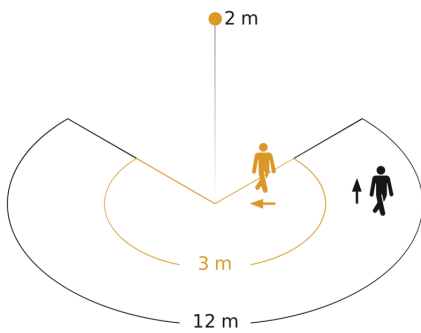
Corner wall mount 03

# L 400 S

black  
EAN 4007841 611019  
Article number 611019

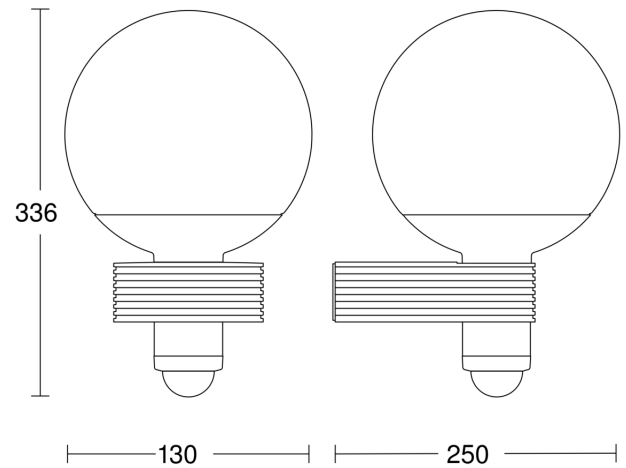


## Detection Zone

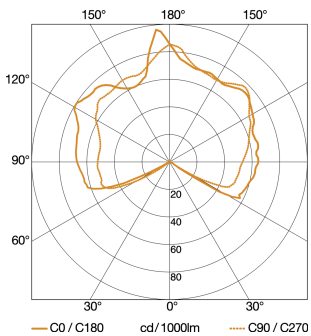


Possible mounting height: 1,80 m - 6,00 m  
Orange: radial  
Black: tangential

## Dimension Drawing



## Light Distribution Curve



Output  
With lamp  
Lamp

60 W  
No  
All-purpose lamp

## Slave/wireless master interconnection circuit diagram

