

## Motion detector

# IR 180 AP easy

Surface wiring

EAN 4007841 066048

Article number 066048



infrared sensor  
180°



max. 8 m



2- or 3-wire

200 W

200 W max. (LED-  
ready)



manual switch ON/  
OFF

Teach

Teach mode



IP54



2 - 1000 lux



5 sec - 30 min



plastic free  
packaging

## Function description

Everything but afraid of water. Infrared sensor switch IR 180 AP easy for indoors and out, ideal for basements, garages, carports and outdoor areas, switches light 'ON' and 'OFF' automatically, reach up to 8 m, adjustable time and twilight threshold, splashproof, can also be used in damp rooms or in the open. It works in both as 2 and 3-wire installations and can switch all type of lamps ON and OFF.

## Technical specifications

Dimensions (L x W x H)	82 x 72 x 67 mm	Switching output 1, low-voltage halogen lamps	200 VA
With motion detector	Yes	LED lamps < 2 W	40 W
Manufacturer's Warranty	3 years	LED lamps > 2 W < 8 W	100 W
Settings via	Potentiometers	LED lamps > 8 W	160 W
With remote control	No	Capacitive load in $\mu\text{F}$	132 $\mu\text{F}$
Version	Surface wiring	Technology, sensors	passive infrared, Light sensor
PU1, EAN	4007841066048	Mounting height	0,90 – 2,20 m
Type	Motion detectors	Mounting height max.	2,20 m
Application, place	Indoors, Outdoors	Optimum mounting height	1,1 m
Application, room	corridor / aisle, function room / ancillary room, WC / washroom, outdoors, Indoors	Detection angle	180 °
Colour	grey	Angle of aperture	90 °
Colour, RAL	7035	Sneak-by guard	Yes
Installation site	wall	Electronic scalability	No
Installation	Surface wiring, Wall	Mechanical scalability	No
IP-rating	IP54	Reach, radial	r = 3 m (14 m <sup>2</sup> )
Protection class	II	Reach, tangential	r = 8 m (101 m <sup>2</sup> )

Motion detector

# IR 180 AP easy

Surface wiring

EAN 4007841 066048

Article number 066048



## Technical specifications

Ambient temperature	0 – 40 °C
Material	Plastic
Mains power supply	220 – 240 V / 50 – 60 Hz
Switching output 1, resistive	200 W
Switching output 1, number of LEDs / fluorescent lamps	4 pcs.
Fluorescent lamps, electronic ballast	150 W
Fluorescent lamps, uncorrected	150 VA
Fluorescent lamps, series-corrected	150 VA
Fluorescent lamps, parallel-corrected	150 VA

Switching zones	96 switching zones
Twilight setting	2 – 1000 lx
Time setting	5 s – 30 Min.
Basic light level function	No
Main light adjustable	No
Twilight setting TEACH	Yes
Constant-lighting control	No
Interconnection	Yes

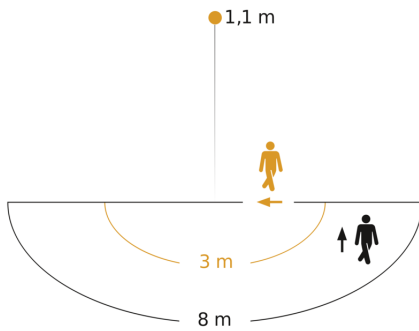
Motion detector

# IR 180 AP easy

Surface wiring  
EAN 4007841 066048  
Article number 066048

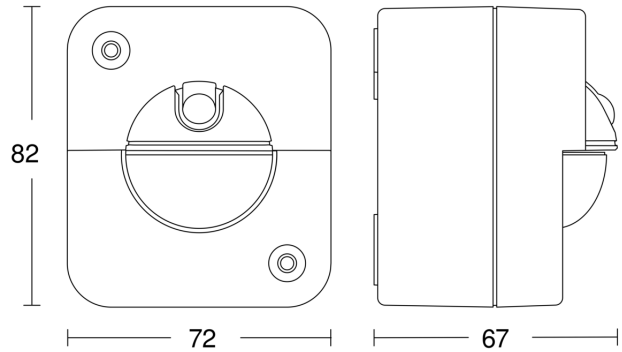


## Detection Zone

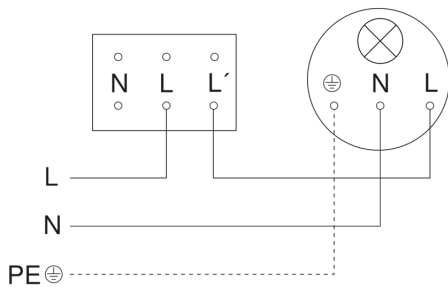


Possible mounting height: 0,90 m - 2,20 m  
Orange: radial  
Black: tangential

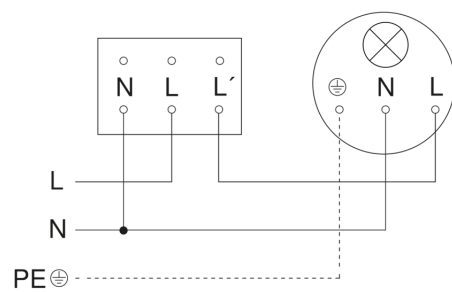
## Dimension Drawing



## 2-wire circuit diagram



## 3-wire circuit diagram



Motion detector

# IR 180 AP easy

Surface wiring

EAN 4007841 066048

Article number 066048



## Circuit diagram for interconnecting several sensors

