

Presence detector - Professional Line

# IR Quattro HD-2 24m

COM1 - in-ceiling installation

EAN 4007841 079406

Article number 079406



infrared sensor  
360°



ideal 2.5 - 10 m



2 - 2000 lux



5 sec - 60 min



Settings via App



Pyro sensor  
individually  
controllable



max. 9 x 9 m  
presence



brightness

Teach

Teach mode



plastic free  
packaging

## Function description

Designed for the finest detection in the largest detection area among our infrared presence detectors. Ideal for open-plan offices or classrooms. Infrared presence detector IR Quattro HD-2 with 360° detection capability and 5,200 switching zones. Wireless setting, adjustment and interconnection via Bluetooth. Pyro sensor individually controllable. For installation in ceilings (COM1, KNX V3.5) as well as for concealed and surface mounting (COM1, COM2, DALI-2 IPD, KNX V3.5, IP und BT IPD). Measured variables: Presence function and light level as well as temperature and humidity on the basis of IP, KNX and DALI-2 IPD. Max. mounting height 10 m. Reach: 81 m<sup>2</sup> (radial), 576 m<sup>2</sup> (tangential).

# IR Quattro HD-2 24m

COM1 - in-ceiling installation  
 EAN 4007841 079406  
 Article number 079406



## Technical specifications

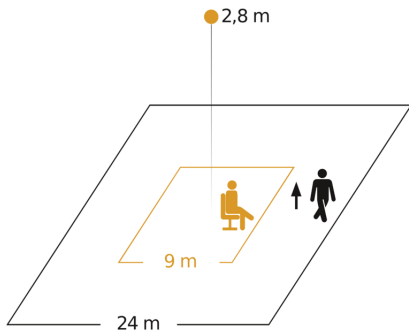
Dimensions (L x W x H)	106 x 103 x 103 mm
Manufacturer's Warranty	5 years
Settings via	Connect Bluetooth Mesh, App, Potentiometers, Smartphone
With remote control	No
Version	COM1 - in-ceiling installation
PU1, EAN	4007841079406
Type	Presence detector
Application, place	Indoors
Application, room	lecture hall, classroom, open-plan office, high-bay warehouse, production facilities, conference room / meeting room, duty room, recreation room, changing room, reception / lobby, sports hall, multi-storey / underground car park, dining hall / staff restaurant, Indoors
Colour	white
Colour, RAL	9003
Includes corner wall mount	No
Installation site	ceiling
Installation	In-ceiling installation, Ceiling
IP-rating	IP20
Ambient temperature	-20 – 50 °C
Material	Plastic
Mains power supply	220 – 240 V / 50 – 60 Hz
Switching output 1, resistive	2000 W
Switching output 1, number of LEDs / fluorescent lamps	8 pcs.
Switching output 1, floating	No
Fluorescent lamps, electronic ballast	1500 W
Fluorescent lamps, uncorrected	1000 VA
Fluorescent lamps, series-corrected	400 VA
Fluorescent lamps, parallel-corrected	1000 VA
Switching output 1, low-voltage halogen lamps	2000 VA

LED lamps < 2 W	100 W
LED lamps > 2 W < 8 W	300 W
LED lamps > 8 W	600 W
Capacitive load in µF	176 µF
Power consumption	0,3 W
Technology, sensors	Light sensor, passive infrared
Mounting height	2,50 – 10,00 m
Mounting height max.	10,00 m
Optimum mounting height	2,8 m
Detection angle	360 °
Capability of masking out individual segments	Yes
Electronic scalability	Yes
Mechanical scalability	Yes
Reach, radial	9 x 9 m (81 m <sup>2</sup> )
Reach, tangential	24 x 24 m (576 m <sup>2</sup> )
Reach, presence	9 x 9 m (81 m <sup>2</sup> )
Functions	Group parameterisation, Semi-/fully automatic, Manual ON / ON-OFF, Neighbouring group function, Normal / test mode, Lighting scenario
Twilight setting	2 – 2000 lx
Time setting	5 s – 60 Min.
Basic light level function	No
Main light adjustable	No
Twilight setting TEACH	Yes
Constant-lighting control	No
Interconnection	Yes
Interconnection via	Bluetooth Mesh Connect

# IR Quattro HD-2 24m

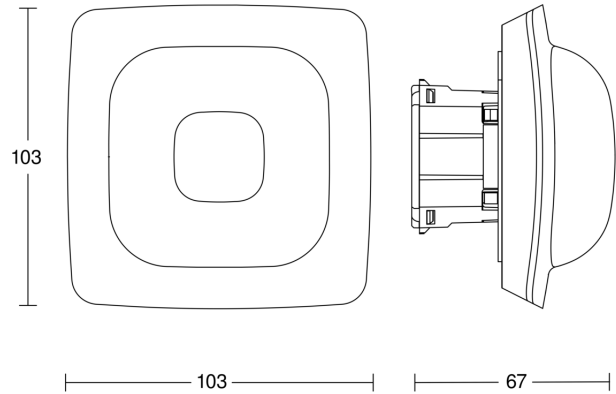
COM1 - in-ceiling installation  
EAN 4007841 079406  
Article number 079406

## Detection Zone

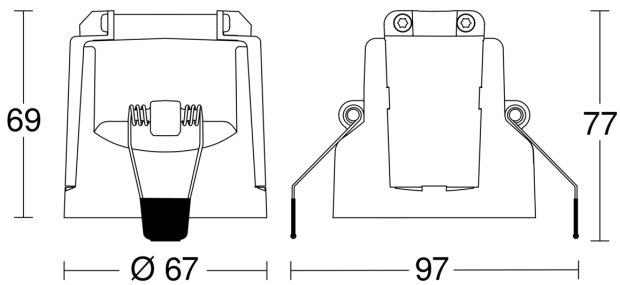


Possible mounting height: 2,50 m - 10,00 m  
Orange: presence  
Black: tangential

## Dimension Drawing 1



## Dimension Drawing 2



## Master circuit diagram

