

IR Quattro HD 24m

COM2 - Concealed wiring
 EAN 4007841 002770
 Article number 002770



infrared sensor
360°



max. 8 x 8 m
presence

HD

4800 zones

2000 W

2000 W max. (LED-
ready)



ideal 2,5 - 10 m



indoor sensor

iQ

iQ-mode



energy saving

5 years

manufacturer's
warranty steinel-
professional.de/
garantie



CE

Function description

Detection no finer! Infrared presence detector Presence Control PRO IR Quattro HD COM2 for indoors, ideal for medium to large-size offices, conference and meeting rooms, classrooms and lecture theatres, sports halls and warehouses, installation height up to 10 m, for switching light as well as HVAC 'ON' and 'OFF', 4800 switching zones for the ultimate in detection quality, presence detection over a true 64 m², square detection zone, mechanically scalable.

Technical specifications

Dimensions (L x W x H)	70 x 120 x 120 mm	Capacitive load in µF	176 µF
Manufacturer's Warranty	5 years	Technology, sensors	passive infrared, Light sensor
Settings via	Remote control, DIP switches, Potentiometers, Smart Remote	Mounting height	2,50 – 10,00 m
With remote control	No	Mounting height max.	10,00 m
Version	COM2 - Concealed wiring	Optimum mounting height	2,8 m
PU1, EAN	4007841002770	Detection angle	360 °
Type	Presence detector	Angle of aperture	160 °
Application, place	Indoors	Sneak-by guard	Yes
Application, room	classroom, lecture hall, open-plan office, high-bay warehouse, production facilities, conference room / meeting room, duty room, recreation room, changing room, sports hall, reception / lobby, multi-storey / underground car park, Indoors	Capability of masking out individual segments	No
Colour	white	Electronic scalability	No
Colour, RAL	9010	Mechanical scalability	Yes
		Reach, radial	8 x 8 m (64 m ²)
		Reach, tangential	20 x 20 m (400 m ²)
		Reach, presence	8 x 8 m (64 m ²)
		Switching zones	4800 switching zones

IR Quattro HD 24m

COM2 - Concealed wiring
 EAN 4007841 002770
 Article number 002770



Technical specifications

Includes corner wall mount	No
Installation site	ceiling
Installation	Concealed wiring, Ceiling
IP-rating	IP20
Ambient temperature	-25 – 55 °C
Material	Plastic
Mains power supply	230 V / 50 – 60 Hz
Fluorescent lamps, electronic ballast	1500 W
Fluorescent lamps, uncorrected	1000 VA
Fluorescent lamps, series-corrected	1000 VA
Fluorescent lamps, parallel-corrected	1000 VA
Switching output 1, low-voltage halogen lamps	2000 VA
LED lamps < 2 W	100 W
LED lamps > 2 W < 8 W	300 W
LED lamps > 8 W	600 W

Functions	Normal / test mode, Semi-/fully automatic, Pushbutton / switch mode, Manual ON / ON-OFF
Twilight setting	10 – 1000 lx
Time setting	30 s – 30 Min.
Basic light level function	No
Main light adjustable	No
Twilight setting TEACH	Yes
Constant-lighting control	No
Interconnection	Yes
Type of interconnection	Master/master, Master/slave
Interconnection via	Cable
Interconnection, number	max. 10 sensors

Accessories

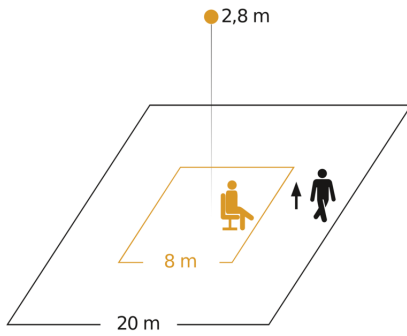
EAN 4007841 003036	Control PRO guard cage
EAN 4007841 000363	Surface-mounted adapter Control Pro IP54
EAN 4007841 009151	Remote control Smart Remote
EAN 4007841 559410	Service remote control RC8

IR Quattro HD 24m

COM2 - Concealed wiring
 EAN 4007841 002770
 Article number 002770

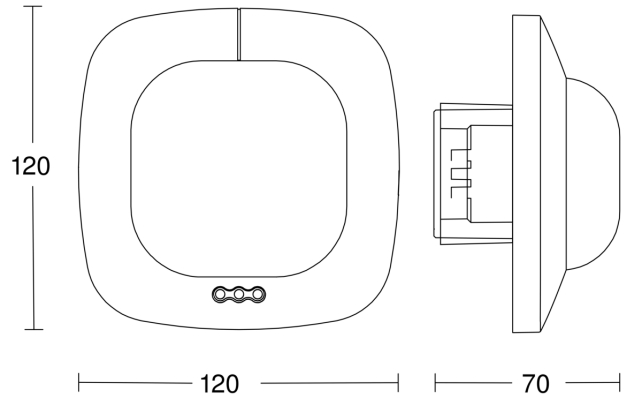


Detection Zone

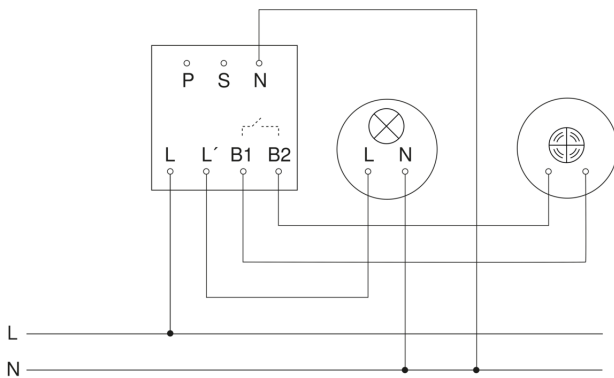


Possible mounting height: 2,50 m - 10,00 m
 Orange: presence
 Black: tangential

Dimension Drawing



Master circuit diagram



Master/slave interconnection circuit diagram

